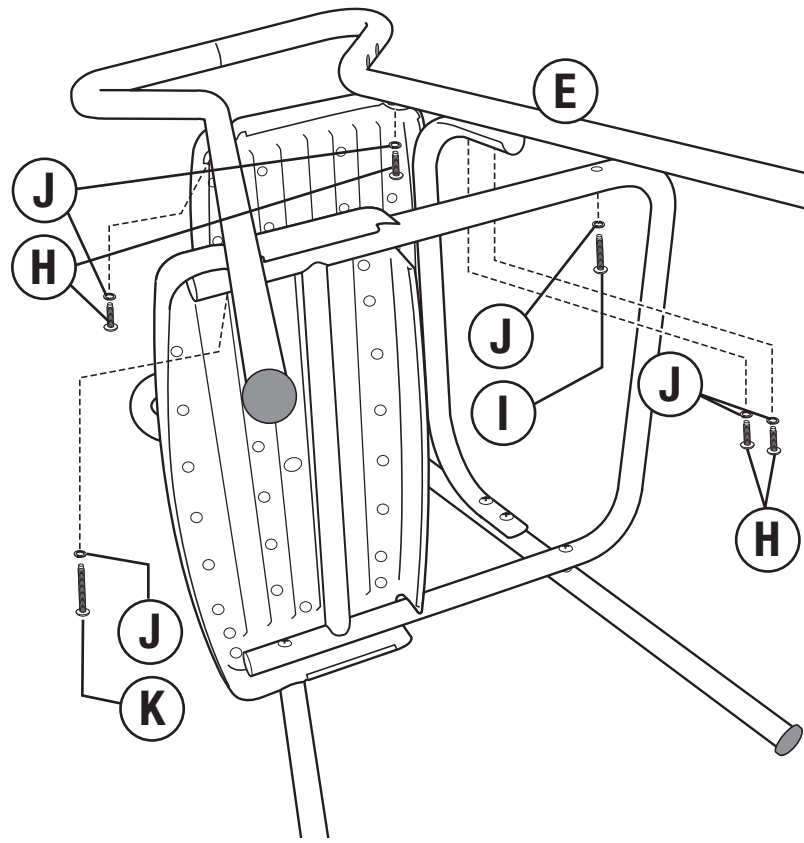


**Assembly continued:**

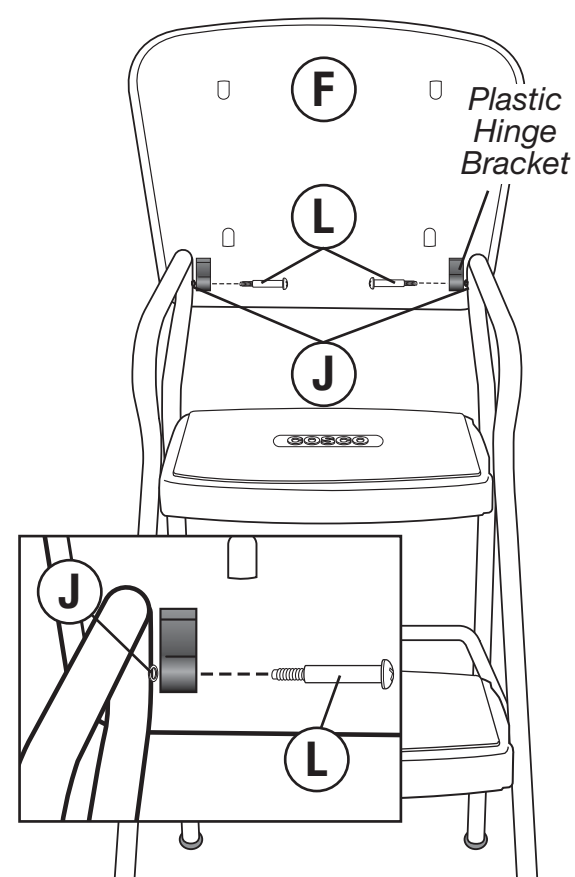
**4. Attach Right Legs**

Lay Right Chair Leg (E) atop steps and "U" Brace, aligning holes. Attach Top Step (B) and Rear "U" Brace (C) with 4 Short Screws (H) and 4 Lock Washers (J). Attach Bottom Step (D) with 1 Medium Screw (I) and 1 Long Screw (K) and 2 Lock Washers (J). Do not tighten screws yet.



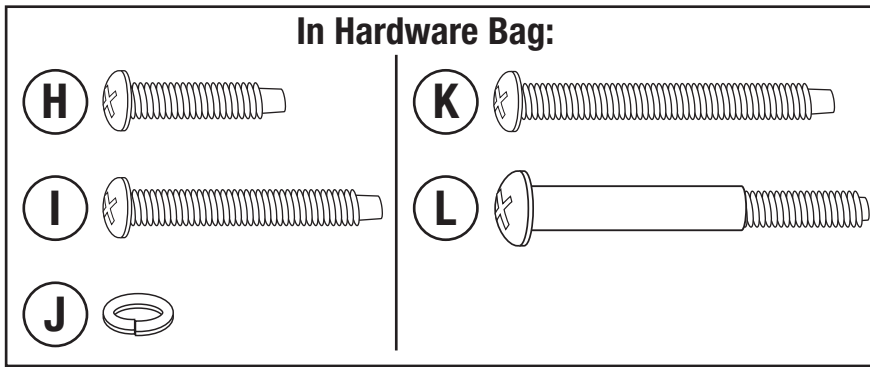
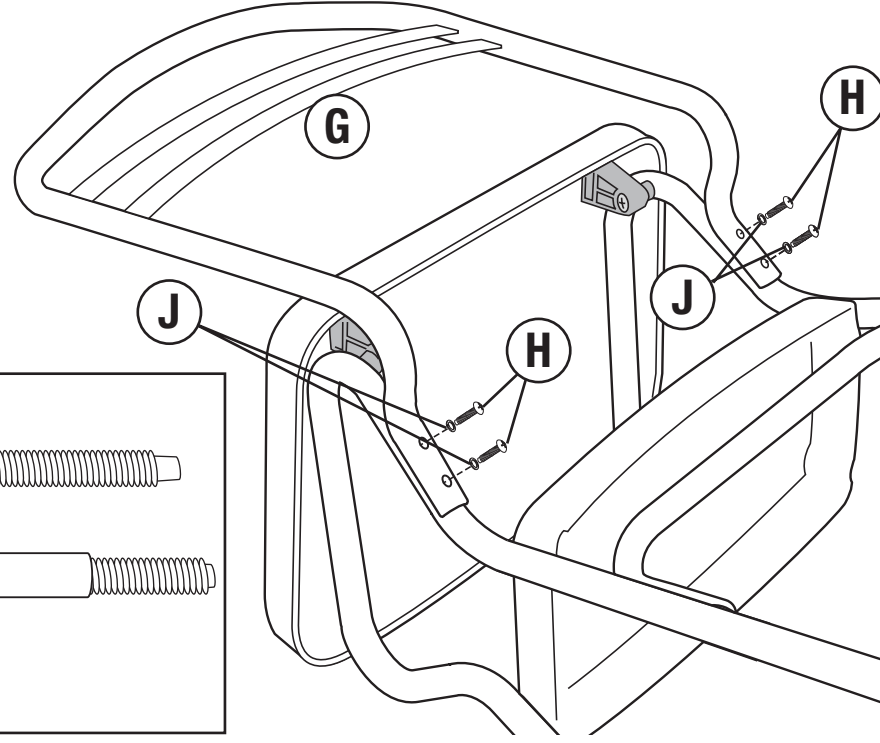
**5. Attach Seat to Frame**

Stand stool upright on legs. Attach Seat (F) to Legs with 2 Pivot Screws (L) and 2 Lock Washers (J) through Plastic Hinge Bracket. **Tighten all screws on steps and Rear "U" Brace.**



**6. Attach Chair Back**

Lay chair frame face-down on floor. Align holes on Chair Back (G) brackets with holes on back of left and right chair legs. Attach with 4 Short Screws (H) and 4 Lock Washers (J) as shown.



www.coscoproducts.com  
4358-3407A 8.16.04

**Step Stool Assembly Instructions**

(Model 11-130)

**Questions? Problems? Something not right or missing?**

Do not return this unit to the place of purchase. Call the Consumer Relations Department at 1-888-818-5110 from 7 am to 6 pm, EST M-Th or 7 am to 4:30 pm, EST Friday, or fax 1-800-207-8182 (24 hours a day), or visit our web site at www.coscoproducts.com and click on "contact us".

We will ship replacement parts within 7-10 business days, based on availability.

You can also order parts by writing to the appropriate address below. Include the product model number, date of manufacture, color and a brief description of the part.

Cosco Home and Office Products  
Consumer Relations  
P.O. Box 2609  
Columbus, IN 47202-2609 USA



**WARNINGS**

**⚠ For your safety, please read the following and keep for future reference:**

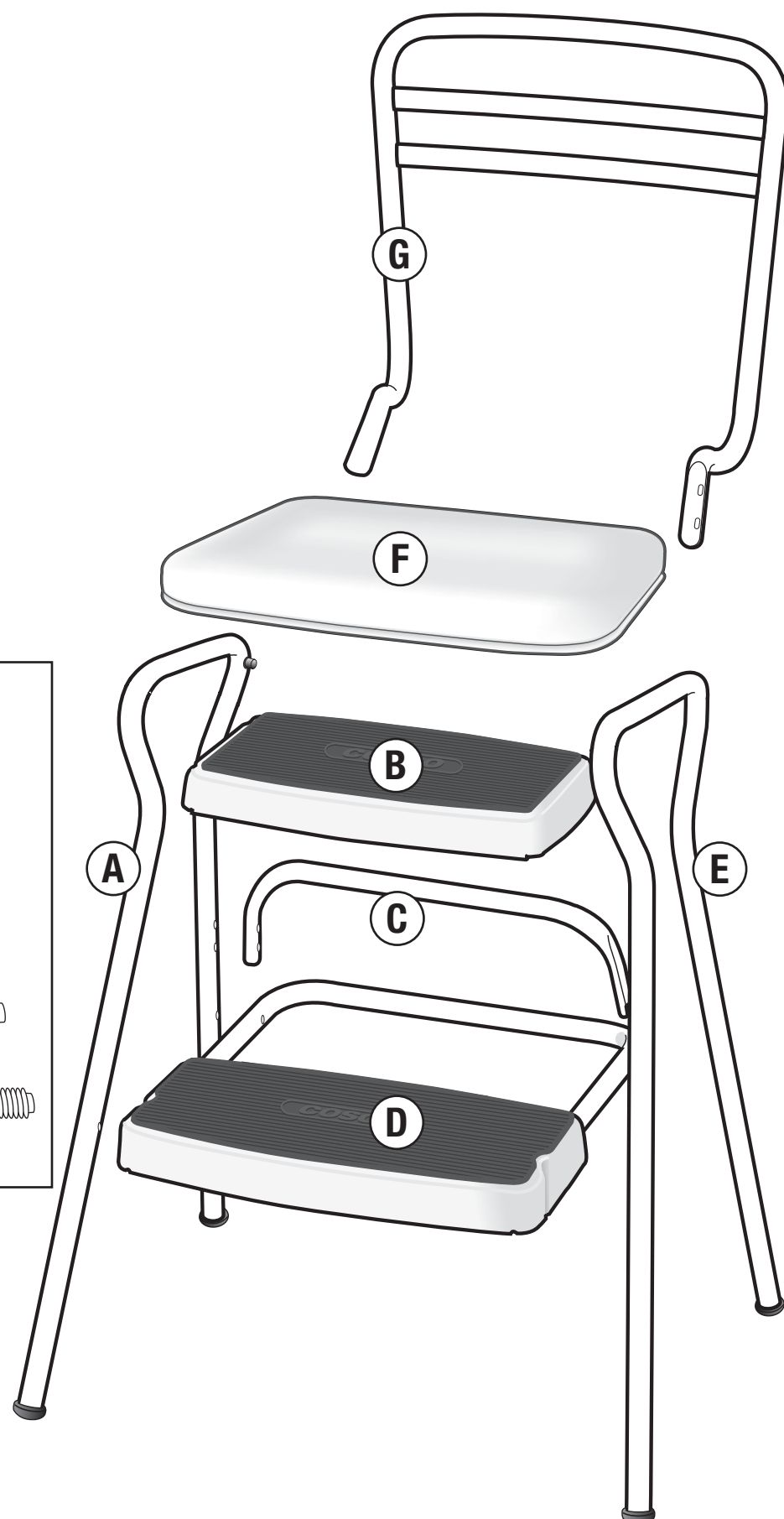
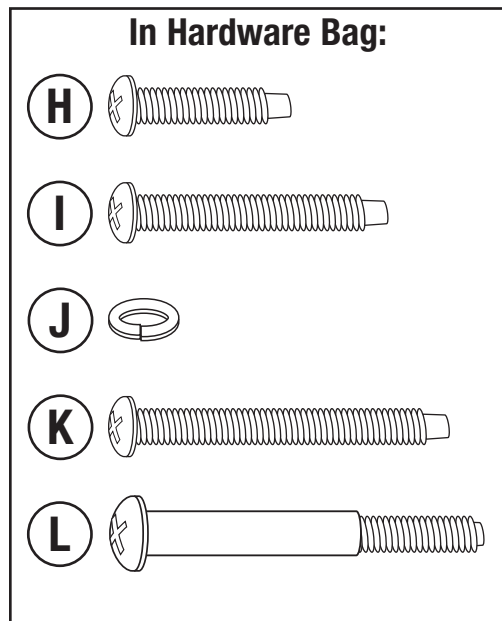
**⚠ This step stool is not designed for commercial or industrial use.**

- Place step stool on firm, single level surface.
- Do not use on slippery surfaces.
- Never walk, bounce or move step stool while on it.
- To protect children, do not leave step stool set up and unattended.
- Never use stool with missing or damaged parts.
- Make sure all joints and bolts are tight and retighten periodically.
- Do not use stool in front of unlocked doors.
- Never stack anything on the stool or chair to gain height.
- Do not push or pull anything while on the stool.
- Wear slip-resistant shoes.

**Parts List**

**NOTE:** Please check that you have all the parts shown **BEFORE** assembling your Step Stool and remove all plastic and paper wraps.

- A. Left Chair Leg
- B. Top Step
- C. Rear "U" Brace
- D. Lower Step
- E. Right Chair Leg
- F. Chair Seat
- G. Chair Back
- H. Short Screws (13)
- I. Medium Screws (2)
- J. Lock Washers (20)
- K. Long Screws (2)
- L. Pivot Screws (2)

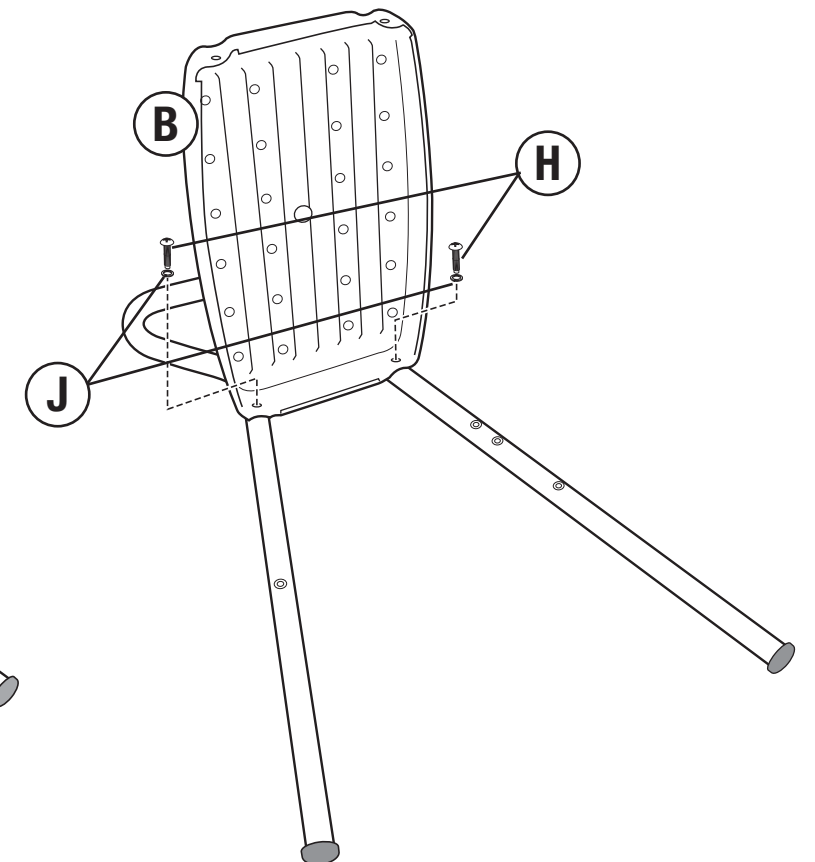
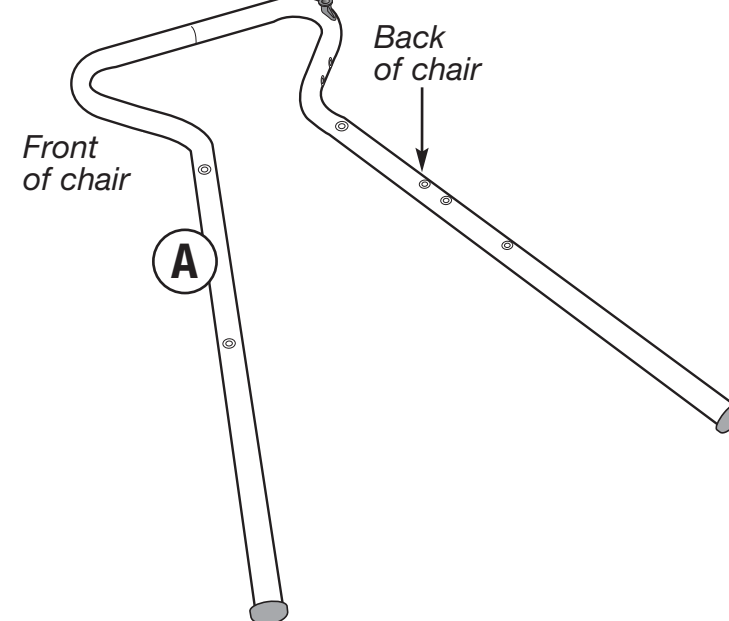


**Chair Assembly:**

**1. Attach Top Step to Left Legs**

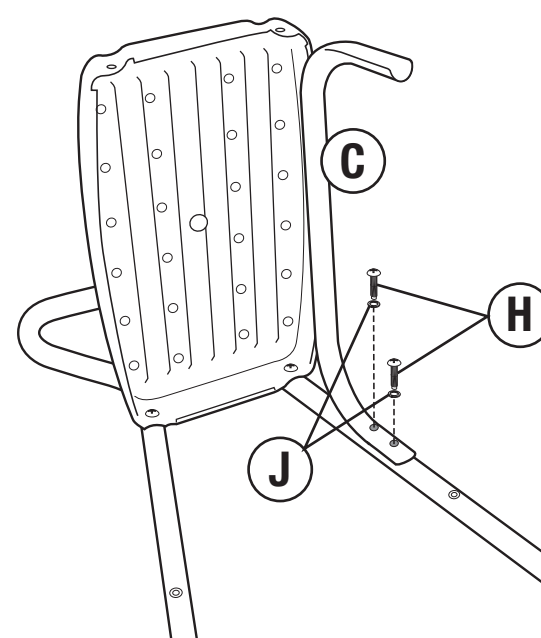
A. Lay Left Chair Leg (A) flat on floor with assembly holes up as shown.

B. Align holes in Top Step (B) with top holes in the Left Chair Leg (A) and attach loosely with 2 Short Screws (H) and 2 Lock Washers (J). (Make sure Cosco name on step faces front of chair legs).



**2. Attach Rear "U" Brace to Legs**

Align holes in Rear "U" Brace (C) with the center holes in rear leg. Loosely attach with 2 Short Screws (H) and 2 Lock Washers (J).



**3. Attach Bottom Step To Legs**

Align holes in Bottom Step (D) with lower holes in Left Chair Leg (A) and loosely attach with 1 Long Screw (K), 1 Medium Screw (I) and 2 Lock Washers (J) as shown below.

